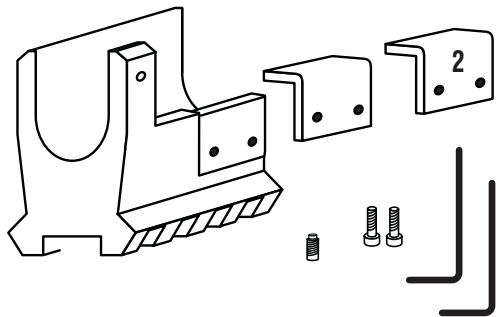


# Revolver Rail - Taurus Judge

ADP-JUDG-140



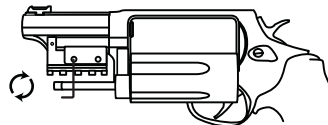
## 1 UNLOAD YOUR FIREARM!

- 2 Open the cylinder and place the adapter rail onto the barrel lug.
- 3 Insert the best fitting clamp and two screws into the side of the mount and tighten until snug.
- 4 For final adjustments use the set screw at the bottom of the rail. (Do not over tighten)

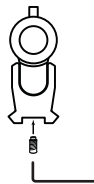
## 1 UNLOAD YOUR FIREARM!



3



4



YES



NO

**Disclaimer:** The use of this product may cause wear marks on the frame of the firearm. The owner of this rail adapter accepts all responsibility for the marks on his or her firearm.



A Division of P&L Industries  
101 Airpark Road - Cottonwood, AZ 86326  
Phone 928-649-3201 - Fax 928-649-3970  
[www.LaserLyte.com](http://www.LaserLyte.com)

**WARRANTY:**  
**One Year Limited**  
**Warranty.**