



Kryptonite[®] CARBINE GREEN LASER

Kryptonite[®] Carbine Green Laser

The cutting edge K-15 Kryptonite[®] Green laser is a modern military styled laser for the modern rifle. The bright green dot makes target acquisition fast and efficient. The green laser can be seen in daylight up to 100 yards. At night the laser can be seen up to a mile away.

- Fits all picatinny and weaver type rail systems 3 inches or longer
- Kryptonite[®] laser module system
- Military styling – Laser engraved markings
- Fully adjustable
- Protective adjustment turrets
- Remote switch: 10 inch length, 2 inch tape switch area, copper braided cord
- 3 position switching: off, constant on, momentary on
- Battery: 1 x CR123 (Run Time approximately 1.5 hours)



DANGER

LASER LIGHT
AVOID DIRECT EYE EXPOSURE

POWER OUTPUT <5mw
WAVELENGTH 532nm
CLASS IIIa PRODUCT



RoHS



6 89706 21023 6
K-15

Comes Complete & Ready to Use — Battery Included

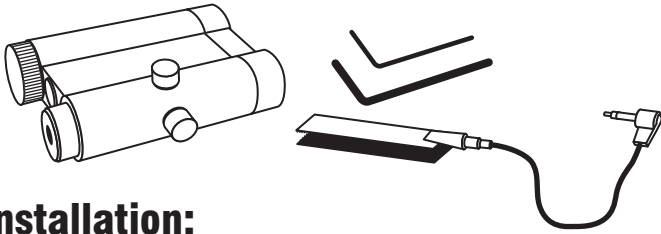
K-15

www.laserlyte.com

Accuracy Defined

KRYPTONYTE® GREEN CARBINE LASER

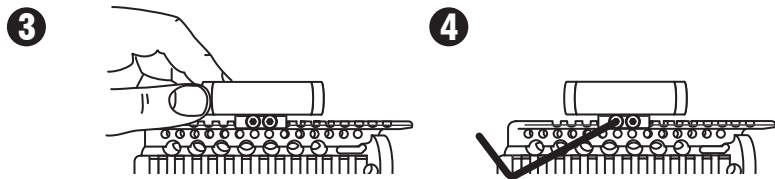
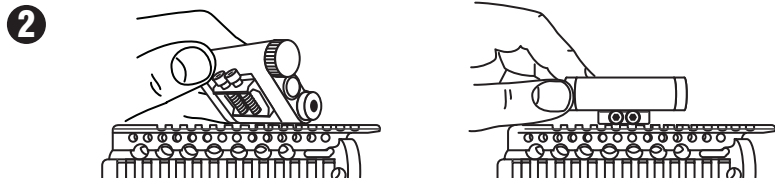
K-15



Installation:

- 1 **UNLOAD YOUR FIREARM!**
- 2 Place the K-15 on the picatinny rail.
- 3 Align the clamp screws with the spaces in the rail.
- 4 Use the provided Allen wrench and tighten the clamp to the rail.
- 5 Mount the remote switch to the desired location with the provided Velcro® strip.

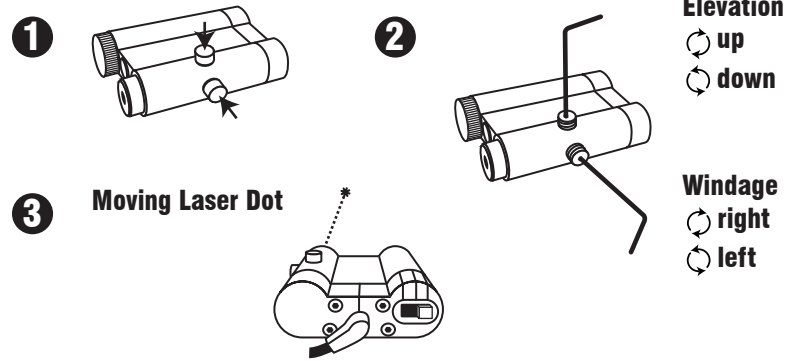
1 UNLOAD YOUR FIREARM!



Mount the remote switch to the desired location with the provided Velcro® strip.

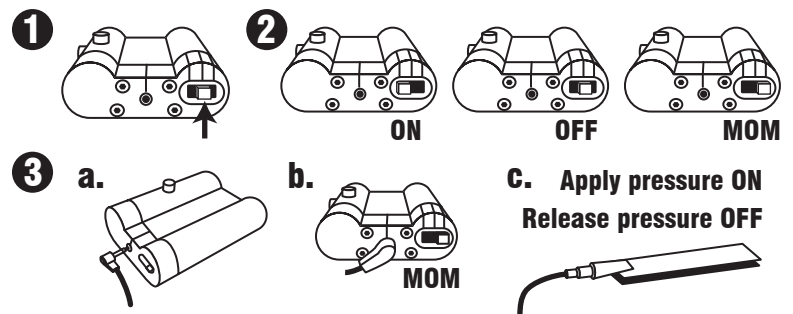
Sighting In:

- 1 Locate the turret caps and remove them.
- 2 Using the provided Allen wrench adjust the laser until it corresponds with your sights.
- 3 Always end in a clock-wise motion. Re-install caps.
- 4 Make final adjustments at the range.



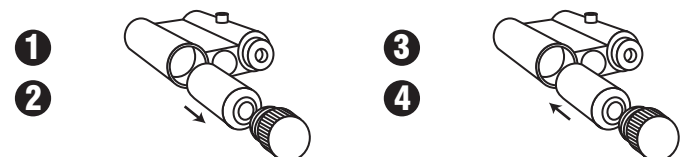
Activation:

- 1 Locate the three position switch at back of the laser.
- 2 Left is constant on - center is off - right is momentary switch.
- 3 **Momentary Switch:**
 - a. Insert the plug connected to switch into the back of the laser.
 - b. Select the momentary switch setting.
 - c. Apply pressure to pad to turn laser on, release pressure on the pad to turn laser off.



Battery Installation: (1) CR123

- 1 Locate the battery cap and unscrew from body.
- 2 Remove battery
- 3 Insert new battery
- 4 Screw in battery cap and tighten.



WARRANTY:
One Year Limited
Warranty.



LASERLYTE®
A Division of P&L Industries
101 Airpark Road - Cottonwood, AZ 86326
Phone 928-649-3201 - Fax 928-649-3970
www.LaserLyte.com